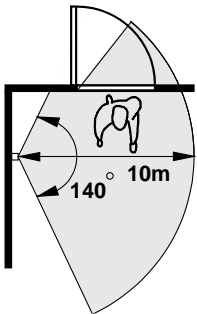


DuCAS

PIRLight Control SenSwitch™ LC-770

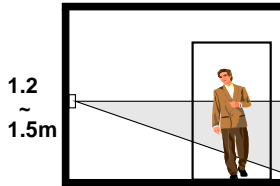
DETECTION PATTERN

Top View



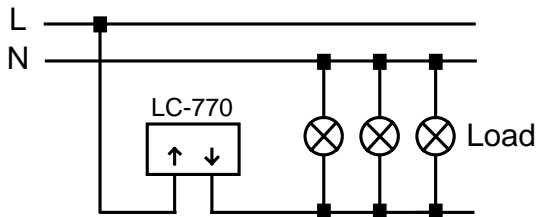
Side View

140°, 10×10m(at 25° C)



Detection range can be changed by applying the lens masking label on the lens properly.

CONNECTION DIAGRAM



SPECIFICATIONS

- Detection method.....Passive Infrared (PIR)
- Detection range.....140°, 10m at 25°C
- Power supply120VAC, 60Hz
- Infrared sensorDual element, low noise
- Load typeResistive / inductive
- Max. load120V: 300W (resistive)
- Delay time.....8 sec. - 3 min. (adjustable)
- Temperature.....-20° - 50°C (-4° - 122°F)
- Dimensions120 x 70 x 60 mm
- Unit weight135 g

⚠ This product may not suit for electronic PL lamp.
LC-770: U.S. Patent No. 5,557,173 EPS & Taiwan Patent Pending

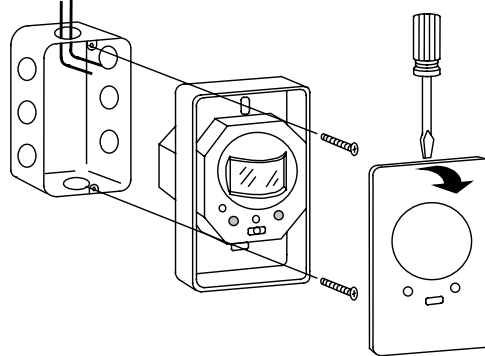
Indoor Use Only For Mounting Only In A Outlet Box.



Installation Instructions

INSTALLATION

WARNING: Switch OFF the mains supply before install.



- 1) Remove the front cover from the SenSwitch.
- 2) Insert the wires (Live & Load) to the terminals.
- 3) Mount the SenSwitch to switch box with screw.
- 4) Test and adjust the **LUX** & **TIME** controllers according to the following instruction.
- 5) Replace the front cover on the SenSwitch.

TEST & ADJUSTMENTS

Before test the LC-770, first ensure that the LUX controller is set at day (☀) and the TIME controller is set at shortest (-).

1. Apply AC mains power and the light will be on about 30 seconds for SenSwitch to warm up.
2. Walk across within the detection range, light will be switched on when motion is detected.
3. Adjust the **LUX** and **TIME** controllers to determine the light-on threshold and delay time.

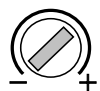
LUX

A built-in CdS photo cell determines the operation of LC-770 by sensing the ambient light level.



TIME

Light-on delay time can be set from approximate 8 seconds to 3 minutes. Further detection during delay time will reset the timer.



About 8 sec.

About 1 min.

About 3 min.

